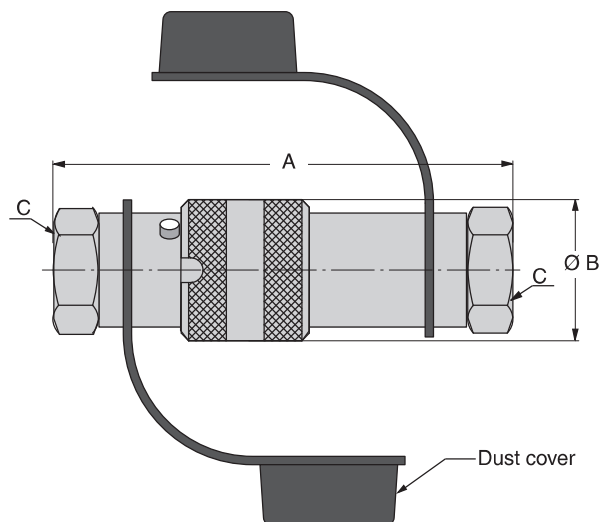


**System adapters**

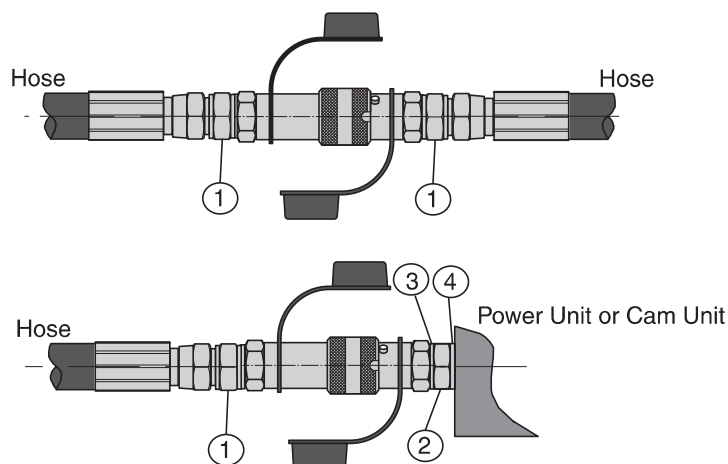
**Quick coupling**

The quick coupling can be used to separate the Power Unit and the Cam Unit/Force Cylinder without refilling and bleeding the system.



Ordering No.	A	ØB	C	Max. oil flow	Power Unit / Cam	Max. velocity Power Unit / Cam
3018084-01	132	40	G 1/2"	100 l/min	015	0.8
3018084-02	162	50	G 3/4"	300 l/min	040, 060, 090	0.8 (090=0.6)
3018084-03	176	57	G 1	500 l/min	150	0.6

**Installation possibilites**



Ordering number adapter and washers				
Quick coupling	Position 1	Position 2	Position 3	Position 4
3018084-01	504321	503551	501271	501271
3018084-02	504324 or 504327*	503552	501270	501270
3018084-03	504330	503553	500282	503554

\*for 1" hose size