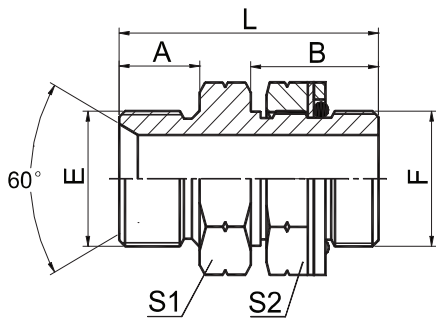


过渡接头 ADAPTER



1BG-OG

英管外螺纹60° 内锥或六角端面用组合垫密封 /
英管外螺纹O形圈

BSP MALE DOUBLE USE FOR 60° CONE SEAT OR
BONDED SEAL / BSP MALE O-RING

代号 PART NO.	螺纹 THREAD		O形圈 O-RING		尺寸 DIMENSIONS				
	E	F		F端	A	B	L	S1	S2
1BG-04OG	G1/4"X19	G1/4"X19		O111	12	21	39	19	19
1BG-04-06OG	G1/4"X19	G3/8"X19		O113	12	24	42	19	22
1BG-06-04OG	G3/8"X19	G1/4"X19		O111	13.5	21	42.5	22	19
1BG-06OG	G3/8"X19	G3/8"X19		O113	13.5	24	45.5	22	22
1BG-06-08OG	G3/8"X19	G1/2"X14		O115	13.5	28	49.5	22	27
1BG-08-06OG	G1/2"X14	G3/8"X19		O113	16	24	50	27	22
1BG-08OG	G1/2"X14	G1/2"X14		O115	16	28	54	27	27
1BG-12OG	G3/4"X14	G3/4"X14		O119	18.5	32.5	62	32	32
1BG-16-08OG	G1"X11	G1/2"X14		O115	20.5	28	61.5	41	27
1BG-16-12OG	G1"X11	G3/4"X14		O119	20.5	32.5	66	41	32
1BG-16OG	G1"X11	G1"X11		O217	20.5	32.5	66	41	41
1BG-20-08OG	G1.1/4"X11	G1/2"X14		O115	20.5	33	63.5	50	27
1BG-20OG	G1.1/4"X11	G1.1/4"X11		O222	20.5	30	68.5	50	50
1BG-24OG	G1.1/2"X11	G1.1/2"X11		O224	23	34	72	55	55

注： F端与DIN 3852油口相配。 F end is connected with DIN 3852 port.