



P20NMS

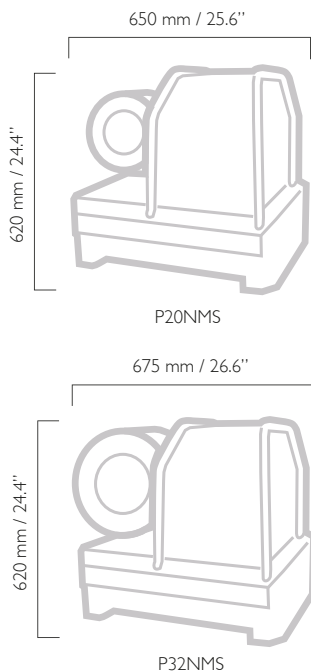
FINN-POWER P20NMS AND P32NMS CRIMPING MACHINES FOR SERVICE USE

P20NMS & P32NMS – ROBUST AND FAST

The new Finn-Power P20NMS & P32NMS are designed for the toughest environments, and they provide productivity in a silent working environment.

New Finn-Power P20NMS and P32NMS, strong, fast and reliable crimpers for any service crimping need. These models turn hydraulics off to conserve energy and to reduce workplace noise levels whenever the machine is idle. Innovative engineering provides quality and productivity while the new design protects the machine when operating in the toughest environments.

The compact new design allows easy transport between any locations. Ease of use invites operators to partner with the machine to produce high quality crimps day after day.



P20NMS

P32NMS

	P20NMS	P32NMS
Crimping range (mm) ¹⁾	10 - 61	10 - 87
Crimping range (inch) ¹⁾	0.39 - 2.40	0.39 - 3.42
Max. crimping force (kN)	1370	2000
Max. crimping force (tonnage)	137	200
Number of crimpings/hour ²⁾	258 / 1000 ³⁾	200 / 850 ³⁾
Motor (kW)	1.5 / 3 ³⁾	1.5 / 4
Motor (HP)	2.0 / 4 ³⁾	2.0 / 5.5
Weight (kg)	140	190
Weight (lbs)	243	550

1) With standard dies. Crimping range can be increased with special dies.

2) Theoretical with 10 mm cycle

3) 1-phase / 3-phase