



SP100 UC

Hose assemblies in the automotive industry are often comprised of odd shapes and sharp angles. The traditional pass through head structure of most hose crimping machines does not accommodate such assemblies. This is why Finn-Power has introduced an open head structure, which allows the hose to be fed from the side. This innovative structure makes crimping of any odd shaped hose assemblies easier and more accurate than ever before.

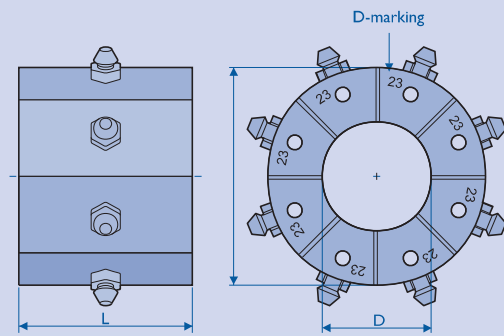
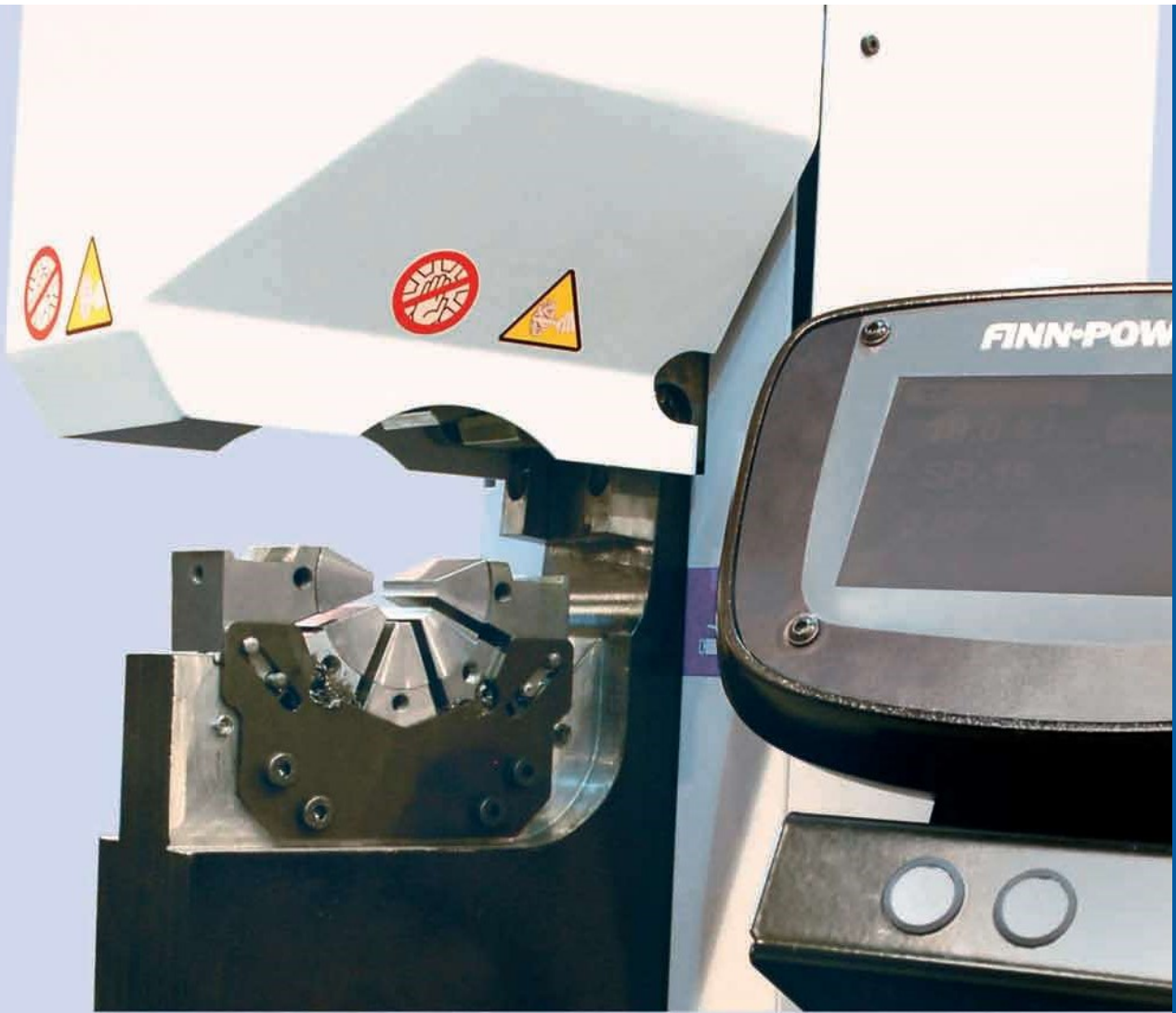
	SP100	SP100S	SP100Z
Crimping range (mm) ¹⁾	10-46	10-46	10-46
Crimping range (inch) ¹⁾	0.39-1.81	0.39-1.81	0.39-1.81
Max. crimping force (kN)	100	100	100
Max. crimping force (tonnage)	10	10	10
Number of crimpings/hour ²⁾	520/1800 ⁵⁾	1200/2900 ⁵⁾	520/1800 ⁵⁾
Hose size ID (inch)	1	1	1
Die set ³⁾	SP100	SP100	SP100
Max. opening (mm) ⁴⁾	+11/+62 ⁶⁾	+11/+62 ⁶⁾	+11/+62 ⁶⁾
Master die D/L (mm)	70 / 40	70 / 40	70 / 40
Master die D/L (inch)	2.75 / 1.58	2.75 / 1.58	2.75 / 1.58
Control	UC	UC	UC
Motor (kW)	3	3	3
Motor (HP)	4.0	4.0	4.0
SIZE: length (mm)	814	1504	455 / 654
width (mm)	766	1074	480 / 473
height (mm)	1670	1866	662 / 711
SIZE: length (inch)	32.0	59.2	18.2 / 26.1
width (inch)	30.2	42.3	19.0 / 20
height (inch)	65.7	73.5	26.5 / 28.4
Weight (kg)	383	560	186 / 96
Weight (lbs)	845	1235	410 / 212

Options:
QC-Tool
Electric back stop device
Mechanical back stop device
Auto greasing
UC1, UC2, UC3
Z-model: foot pedal



Auto greasing

- 1) With standard dies. Crimping range can be increased with special dies.
- 2) Theoretical with 10 mm cycle
- 3) See table for die set data
- 4) Maximum opening is the total die travel. Add this value to the minimum crimping diameter of the die set used. The result is the maximum opening of the machine with die set in place.
- 5) Full cycle / 10 mm cycle
- 6) Die travel / feeding channel



701817/xx
SP100

Pno	Crimping range	D	L
701817/10	10.0 - 12.0	10	40
701817/12	12.0 - 14.0	12	40
701817/14	14.0 - 16.0	14	40
701817/16	16.0 - 19.0	16	40
701817/19	19.0 - 23.0	19	40
701817/23	23.0 - 27.0	23	40
701817/27	27.0 - 31.0	27	40
701817/31	31.0 - 36.0	31	40
701817/36	36.0 - 41.0	36	40
701817/41	41.0 - 47.0	41	40
701817/47	47.0 - 54.0	47	40