



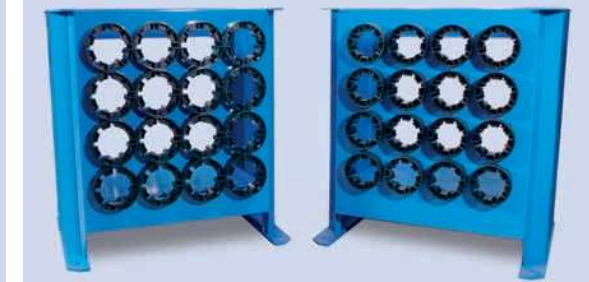
32MS

| | P32X | 32 |
|--|-------------------------|-------------------------|
| Crimping range (mm) ¹⁾ | 10-87 | 10-87 |
| Crimping range (inch) ¹⁾ | 0.39-3.42 | 0.39-3.42 |
| Max. crimping force (kN) | 2000 | 2000 |
| Max. crimping force (tonnage) | 200 | 200 |
| Number of crimpings/hour ²⁾ | 134 / 411 ⁶⁾ | 200 / 850 ⁶⁾ |
| Hose size ID (inch) | 2 | 2 |
| Die set ³⁾ | P32 | P32 |
| Max. opening (mm) ⁴⁾ | +33 | +33 |
| Master die D/L (mm) | 99 / 80 | 99 / 80 |
| Master die D/L (inch) | 3.90 / 3.15 | 3.90 / 3.15 |
| Control | MS | MS / UC |
| Motor (kW) | 1.5 / 2.2 ⁵⁾ | 1.5 / 4 ⁵⁾ |
| Motor (HP) | 2.0 / 3.0 ⁵⁾ | 2.0 / 5.5 ⁵⁾ |
| SIZE: length (mm) | 632 | 800 |
| width (mm) | 521 | 630 |
| height (mm) | 567 | 637 |
| SIZE: length (inch) | 24.9 | 31.5 |
| width (inch) | 20.6 | 24.8 |
| height (inch) | 22.4 | 25.1 |
| Weight (kg) | 150 | 205 |
| Weight (lbs) | 331 | 550 |

| Options: |
|-----------------------------|
| QC-Tool |
| * Foot pedal |
| * Electric back stop device |
| Mechanical back stop device |
| ** UC1, UC2 |

* not available in P32X-model
 ** not available in P32X and MS-models

QC Tool bases



- 1) With standard dies. Crimping range can be increased with special dies.
- 2) Theoretical with 10 mm cycle
- 3) See table for die set data
- 4) Maximum opening is the total die travel. Add this value to the minimum crimping diameter of the die set used. The result is the maximum opening of the machine with die set in place.
- 5) 12V / 24V. Overload controlled.
- 6) 1-phase / 3-phase

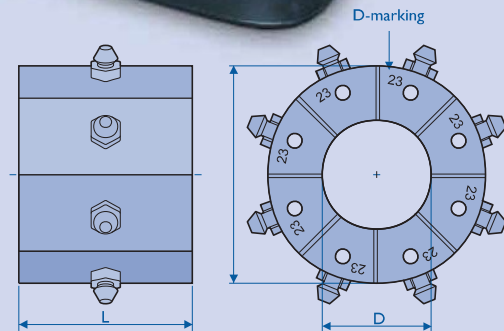
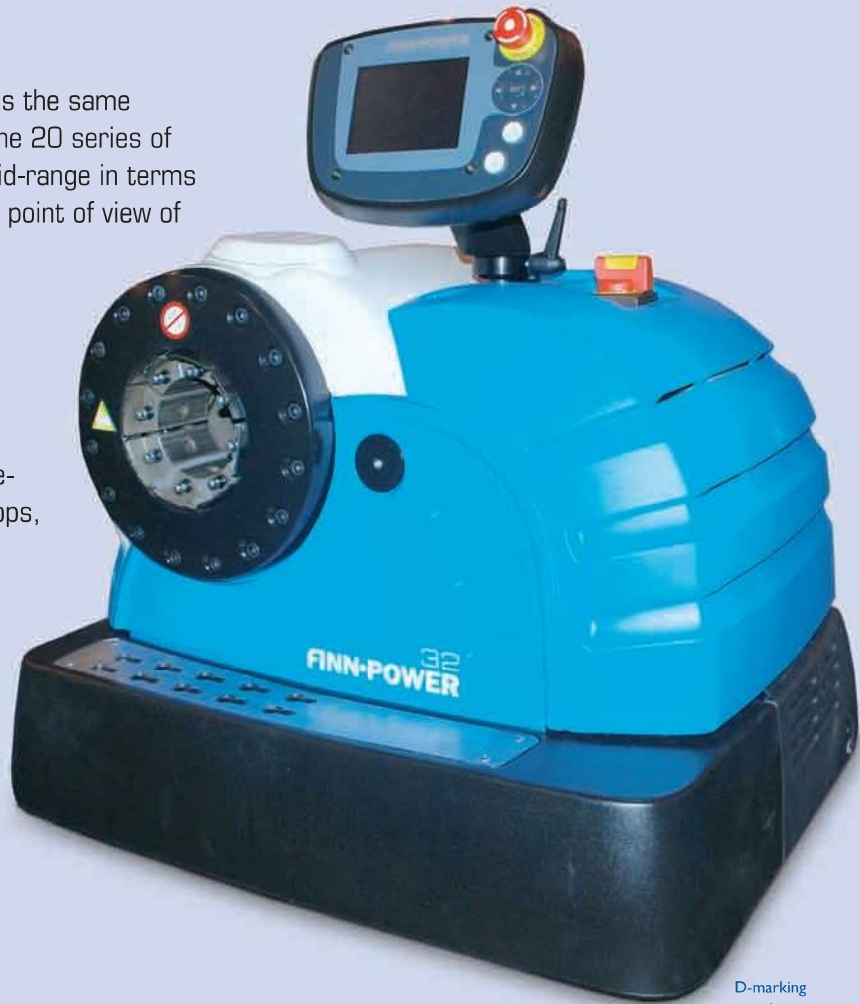
Finn-Power 32MS and 32UC has the same fabulous crimping features as the 20 series of crimping machines. They are mid-range in terms of power, but compact from the point of view of space requirements.

32 machines provide 2000 kN crimping force in a highly compact, ergonomical design.

They are ideally suited for single-piece production in machine shops, repair workshops etc.

All table-top machines can be mounted on a QC Tool Base. Up to 16 die sets can be stored in a base for operator convenience.

32UC



18506/xx
P32

| Pno | Crimping range | D | L |
|----------|----------------|----|-----|
| 18506/10 | 10.0 - 12.0 | 10 | 55 |
| 18506/12 | 12.0 - 14.0 | 12 | 55 |
| 18506/14 | 14.0 - 16.0 | 14 | 55 |
| 18506/16 | 16.0 - 19.0 | 16 | 55 |
| 18506/19 | 19.0 - 22.0 | 19 | 55 |
| 18506/22 | 22.0 - 26.0 | 22 | 70 |
| 18506/26 | 26.0 - 30.0 | 26 | 70 |
| 18506/30 | 30.0 - 34.0 | 30 | 70 |
| 18506/34 | 34.0 - 39.0 | 34 | 75 |
| 18506/39 | 39.0 - 45.0 | 39 | 75 |
| 18506/45 | 45.0 - 51.0 | 45 | 90 |
| 18506/51 | 51.0 - 57.0 | 51 | 90 |
| 18506/57 | 57.0 - 63.0 | 57 | 100 |
| 18506/63 | 63.0 - 69.0 | 63 | 110 |
| 18506/69 | 69.0 - 75.0 | 69 | 110 |
| 18506/74 | 74.0 - 80.0 | 74 | 110 |
| 18506/78 | 78.0 - 87.0 | 78 | 110 |