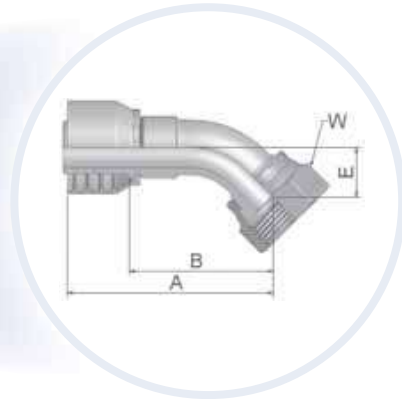


J7 - ORFS内螺纹-旋转螺母-45°弯接头

ISO 12151-1-SWE 45°, SAE J516 - ORFS 45°



适用软管类型:

46	441, 461LT, 462, 462ST, 463, 492, 492ST, 692, 692 TWIN
43	381, 301SN, 302, 481, 421SN, 422, 426, 436, 441, 451TC, 471TC /472TC, 493, 811, 881

XXXX-XX-XX 型号		软管内径				螺纹 UNF	A	B	E	W
46	43	DN	Inch	Size	mm		mm	mm	mm	mm
1J746-4-4	1J743-4-4	6	1/4	-4	6,3	9/16x18	52	28	10	17
1J746-6-4	1J743-6-4	6	1/4	-4	6,3	11/16x16	53	30	11	22
1J746-6-5	1J743-6-5	8	5/16	-5	7,9	11/16x16	56	32	11	22
1J746-6-6	1J743-6-6	10	3/8	-6	9,5	11/16x16	54	31	11	22
1J746-8-6	1J743-8-6	10	3/8	-6	9,5	13/16x16	59	36	15	24
1J746-6-8	1J743-6-8	12	1/2	-8	12,7	11/16x16	57	33	11	22
1J746-8-8	1J743-8-8	12	1/2	-8	12,7	13/16x16	61	38	15	24
1J746-10-8	1J743-10-8	12	1/2	-8	12,7	1x14	65	42	16	30
1J746-12-8	1J743-12-8	12	1/2	-8	12,7	1-3/16x12	77	53	21	36
1J746-10-10	1J743-10-10	16	5/8	-10	15,9	1x14	67	42	16	30
1J746-12-10	1J743-12-10	16	5/8	-10	15,9	1-3/16x12	81	55	21	36
1J746-10-12	1J743-10-12	20	3/4	-12	19,1	1x14	73	47	16	30
1J746-12-12	1J743-12-12	20	3/4	-12	19,1	1-3/16x12	83	57	21	36
1J746-16-12	1J743-16-12	20	3/4	-12	19,1	1-7/16x12	94	68	24	41
1J746-12-16	1J743-12-16	25	1	-16	25,4	1-3/16x12	91	61	21	36
1J746-16-16	1J743-16-16	25	1	-16	25,4	1-7/16x12	100	70	24	41
1J746-20-16	1J743-20-16	25	1	-16	25,4	1-11/16x12	101	71	26	50
1J746-20-20		32	1-1/4	-20	31,8	1-11/16x12	124	86	26	50
	1J743-20-20	32	1-1/4	-20	31,8	1-11/16x12	130	82	27	50
	1J743-24-24	40	1.1/2	-24	38,1	2x12	148	110	40	60

材料: 碳钢, 镀锌