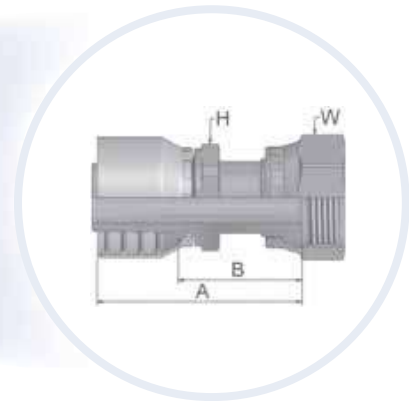




JS - ORFS内螺纹-旋转螺母-直接头(长)

ISO 12151-1-SWSB, SAE J516 - ORFS



适用软管类型:

	46	441, 461LT, 462, 462ST, 463, 492, 492ST, 692, 692 TWIN
	43	381, 301SN, 302, 481, 421SN, 422, 426, 436, 441, 451TC, 471TC /472TC, 493, 811, 881

XXXX-XX-XX 型号		软管内径				螺纹 UNF	A	B	H	W
		DN	Inch	Size	mm		mm	mm	mm	mm
1JS46-4-4	1JS43-4-4	6	1/4	-4	6,3	9/16x18	53	29	14	17
1JS46-6-4	1JS43-6-4	6	1/4	-4	6,3	11/16x16	54	31	17	22
1JS46-6-5	1JS43-6-5	8	5/16	-5	7,9	11/16x16	55	31	17	22
1JS46-4-6	1JS43-4-6	10	3/8	-6	9,5	9/16x18	53	30	14	17
1JS46-6-6	1JS43-6-6	10	3/8	-6	9,5	11/16x16	52	29	17	22
1JS46-8-6	1JS43-8-6	10	3/8	-6	9,5	13/16x16	58	35	19	24
1JS46-6-8	1JS43-6-8	12	1/2	-8	12,7	11/16x16	52	29	17	22
1JS46-8-8	1JS43-8-8	12	1/2	-8	12,7	13/16x16	57	33	22	24
1JS46-10-8	1JS43-10-8	12	1/2	-8	12,7	1x14	63	39	24	30
1JS46-10-10	1JS43-10-10	16	5/8	-10	15,9	1x14	65	39	24	30
1JS46-12-10	1JS43-12-10	16	5/8	-10	15,9	1-3/16x12	70	45	30	36
1JS46-10-12	1JS43-10-12	20	3/4	-12	19,1	1x14	66	40	24	30
1JS46-12-12	1JS43-12-12	20	3/4	-12	19,1	1-3/16x12	71	45	30	36
1JS46-16-12	1JS43-16-12	20	3/4	-12	19,1	1-7/16x12	73	47	36	41
1JS46-16-16	1JS43-16-16	25	1	-16	25,4	1-7/16x12	76	46	36	41
1JS46-20-16	1JS43-20-16	25	1	-16	25,4	1-11/16x12	78	48	41	50
1JS46-20-20		32	1-1/4	-20	31,8	1-11/16x12	88	50	41	50
	1JS43-20-20	32	1-1/4	-20	31,8	1-11/16x12	102	54	46	50
	1JS43-24-24	40	1-1/2	-24	38,1	2x12	100	62	50	60

材料:碳钢, 镀锌