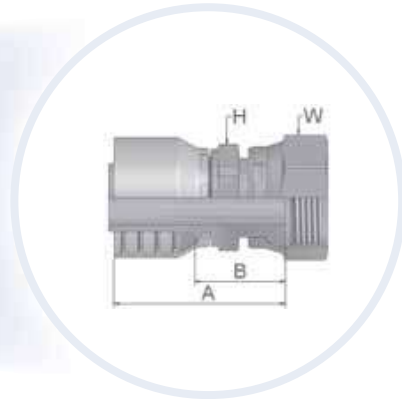


JC - ORFS内螺纹-旋转螺母-直接头(短)

ISO 12151-1 – SWSA, SAE J516 – ORFS



适用软管类型:

46	441, 461LT, 462, 462ST, 463, 492, 492ST, 692, 692 TWIN
43	381, 301SN, 302, 481, 421SN, 422, 426, 436, 441, 451TC, 471TC /472TC, 493, 811, 881

XXXX-XX-XX 型号		软管内径				螺纹 UNF	A	B	H	W
46	43	DN	Inch	Size	mm		mm	mm	mm	mm
1JC46-4-4	1JC43-4-4	6	1/4	-4	6,3	9/16x18	46	22	14	17
1JC46-6-4	1JC43-6-4	6	1/4	-4	6,3	11/16x16	45	23	17	22
1JC46-8-4	1JC43-8-4	6	1/4	-4	6,3	13/16x16	46	22	19	24
1JC46-6-5	1JC43-6-5	8	5/16	-5	7,9	11/16x16	47	23	17	22
1JC46-4-6	1JC43-4-6	10	3/8	-6	9,5	9/16x18	42	19	17	17
1JC46-6-6	1JC43-6-6	10	3/8	-6	9,5	11/16x16	43	21	17	22
1JC46-8-6	1JC43-8-6	10	3/8	-6	9,5	13/16x16	45	22	19	24
1JC46-6-8	1JC43-6-8	12	1/2	-8	12,7	11/16x16	44	20	17	22
1JC46-8-8	1JC43-8-8	12	1/2	-8	12,7	13/16x16	46	22	22	24
1JC46-10-8	1JC43-10-8	12	1/2	-8	12,7	1x14	48	24	24	30
1JC46-12-8	1JC43-12-8	12	1/2	-8	12,7	1-3/16x12	53	29	30	36
1JC46-8-10	1JC43-8-10	16	5/8	-10	15,9	13/16x16	47	22	22	24
1JC46-10-10	1JC43-10-10	16	5/8	-10	15,9	1x14	51	26	24	30
1JC46-12-10	1JC43-12-10	16	5/8	-10	15,9	1-3/16x12	54	28	30	36
1JC46-10-12	1JC43-10-12	20	3/4	-12	19,1	1x14	54	28	24	30
1JC46-12-12	1JC43-12-12	20	3/4	-12	19,1	1-3/16x12	55	29	30	36
1JC46-16-12	1JC43-16-12	20	3/4	-12	19,1	1-7/16x12	59	33	36	41
	1JC43-12-16	25	1	-16	25,4	1-3/16x12	60	30	32	36
1JC46-16-16	1JC43-16-16	25	1	-16	25,4	1-7/16x12	63	33	36	41
1JC46-20-16	1JC43-20-16	25	1	-16	25,4	1-11/16x12	62	32	41	50
1JC46-20-20		32	1-1/4	-20	31,8	1-11/16x12	71	33	41	50
	1JC43-20-20	32	1-1/4	-20	31,8	1-11/16x12	85	36	41	50

材料: 碳钢, 镀锌