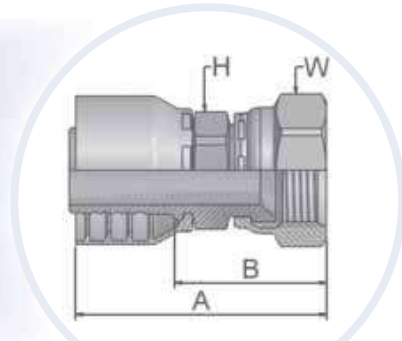


06/68 - JIC 37°/SAE 45°双角度-扩口式-旋转螺母-直接头

ISO12151-5-SWS - DKJ



适用软管类型:

46 441, 461LT, 462, 462ST, 463, 492, 492ST, 692, 692 TWIN

43 381, 301SN, 302, 481, 421SN, 422, 426, 436, 441, 451TC, 471TC /472TC, 493, 811, 881

XXXX-XX-XX 型号	软管内径				螺纹 UNF	A mm	B mm	H mm	W mm	
	DN	Inch	Size	mm						
16846-4-4	16843-4-4	6	1/4	-4	6,3	7/16x20	52	29	14	17
16846-5-4	16843-5-4	6	1/4	-4	6,3	1/2x20	53	30	14	17
10646-6-4	10643-6-4	6	1/4	-4	6,3	9/16x18	55	31	14	19
16846-5-5	16843-5-5	8	5/16	-5	7,9	1/2x20	54	30	14	17
10646-6-5	10643-6-5	8	5/16	-5	7,9	9/16x18	56	32	17	19
16846-8-5	16843-8-5	8	5/16	-5	7,9	3/4x16	57	34	17	22
16846-4-6	16843-4-6	10	3/8	-6	9,5	7/16x20	50	27	14	17
16846-5-6	16843-5-6	10	3/8	-6	9,5	1/2x20	52	29	14	17
10646-6-6	10643-6-6	10	3/8	-6	9,5	9/16x18	52	30	17	19
16846-8-6	16843-8-6	10	3/8	-6	9,5	3/4x16	56	33	17	22
16846-10-6	16843-10-6	10	3/8	-6	9,5	7/8x14	59	36	22	27
10646-6-8	10643-6-8	12	1/2	-8	12,7	9/16x18	46	22	22	19
16846-8-8	16843-8-8	12	1/2	-8	12,7	3/4x16	56	32	22	22
16846-10-8	16843-10-8	12	1/2	-8	12,7	7/8x14	62	38	22	27
10646-12-8	10643-12-8	12	1/2	-8	12,7	1-1/16x12	62	38	27	32
16846-8-10	16843-8-10	16	5/8	-10	15,9	3/4x16	57	32	22	22
16846-10-10	16843-10-10	16	5/8	-10	15,9	7/8x14	60	35	22	27
10646-12-10	10643-12-10	16	5/8	-10	15,9	1-1/16x12	64	39	27	32
16846-8-12	16843-8-12	20	3/4	-12	19,1	3/4x16	58	32	24	22
16846-10-12	16843-10-12	20	3/4	-12	19,1	7/8x14	61	35	24	27
10646-12-12	10643-12-12	20	3/4	-12	19,1	1-1/16x12	67	41	27	32
10646-14-12	10643-14-12	20	3/4	-12	19,1	1-3/16x12	68	42	30	36
10646-16-12	10643-16-12	20	3/4	-12	19,1	1-5/16x12	71	45	32	41
10646-12-16	10643-12-16	25	1	-16	25,4	1-1/16x12	74	44	32	32
10646-16-16	10643-16-16	25	1	-16	25,4	1-5/16x12	76	46	32	41
10646-20-16	10643-20-16	25	1	-16	25,4	1-5/8x12	80	50	41	50
10646-16-20		32	1-1/4	-20	31,8	1-5/16x12	87	49	41	41
	10643-16-20	32	1-1/4	-20	31,8	1-5/16x12	97	50	46	41
10646-20-20		32	1-1/4	-20	31,8	1-5/8x12	89	51	46	50
	10643-20-20	32	1-1/4	-20	31,8	1-5/8x12	100	53	46	50
	10643-24-20°	32	1-1/4	-20	31,8	1-7/8x12	105	58	55	60
	10643-24-24	40	1-1/2	-24	38,1	1-7/8x12	98	60	55	60
	10643-32-32	50	2	-32	50,8	2-1/2x12	115	72	65	75

带“°”标记的软管接头必须使用Parkrimp 2 设备扣压。
材料:碳钢, 镀锌